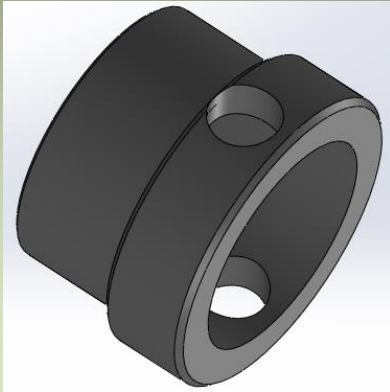
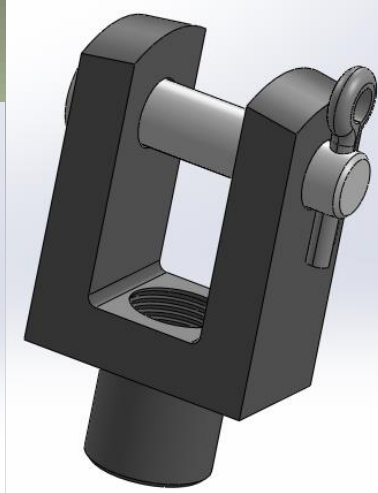


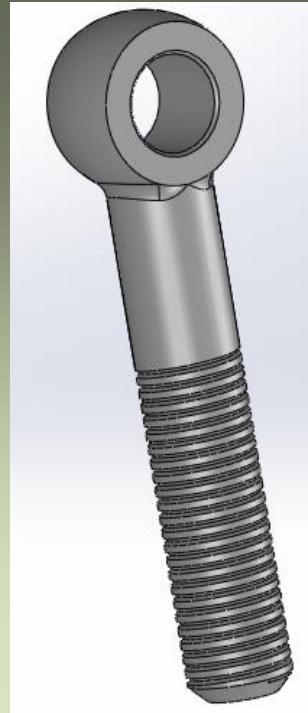
Tailored parts produced based on drawings



Steel Bush with cross holes



Fork with thread



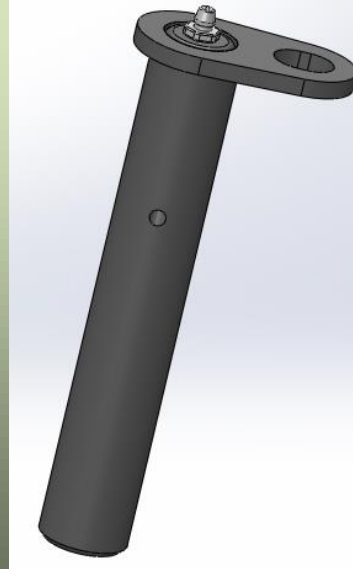
End Right / Left threads



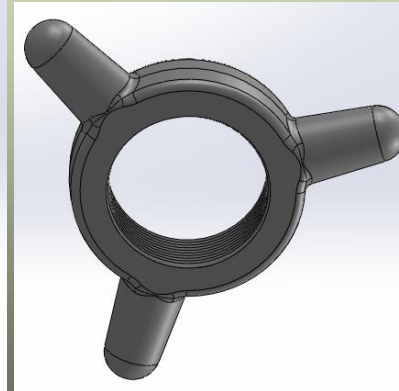
Wheel Bolt



Steel Bush



Pin with Grease tunnel



Forged Nut Right / Left thread