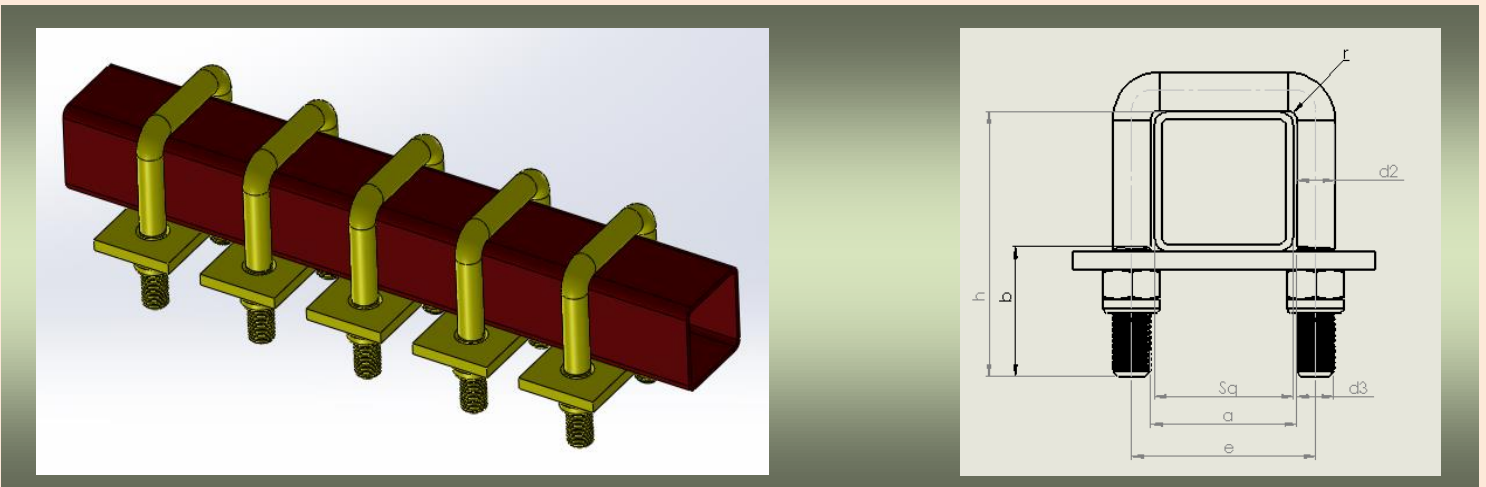


**Square U Bolts**

Hot Bend- Material 5.5 Grade with ISO Metric threads  
 Zinc coating with thickness of 8 micron Cr VI-Free passivation  
 Din standard Nuts and washers can supplied on request

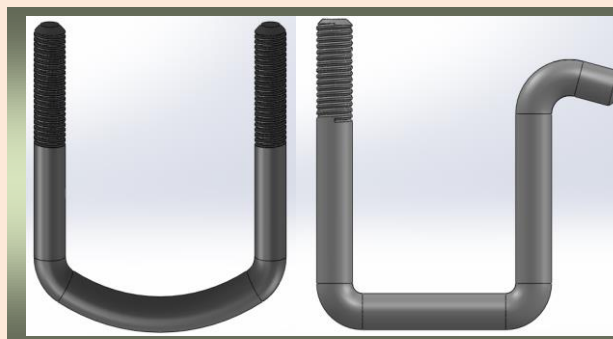


SQ	a	d3	h	b	e	r	d2
30x30	31	M10	52	30	41	5	8.9
		M12	56	35	43	6	10.7
40x40	41	M10	62	30	51	5	8.9
		M12	66	35	53	6	10.7
50x50	51	M10	72	30	61	5	8.9
		M12	76	35	63	6	10.7
60x60	61	M14	90	40	75	7	12.6
		M16	94	50	77	8	14.6
		M18	100	60	85	7	12.6
70x70	71	M14	100	40	85	7	12.6
		M16	104	50	87	8	14.6
80x80	81	M14	110	40	95	7	12.6
		M16	114	50	97	8	14.6
90x90	91	M14	120	40	105	7	12.6
		M16	124	50	107	8	14.6
100x100	101	M16	134	50	117	8	14.6
110x110	111	M16	144	50	127	8	14.6
120x120	121	M16	154	50	137	8	14.6

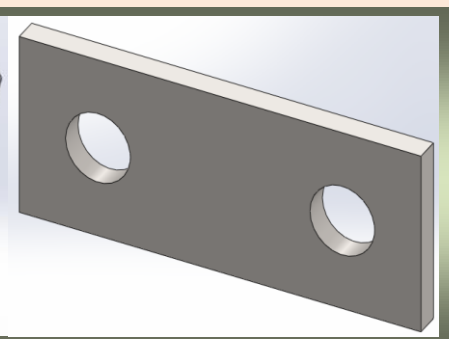
Producing lot of U Bolts with M16 & M18 threads, Material S355JR



Strong Hot forged flat Bend / Material S355JR Tailored dimension



Some tailored shape U Type and One Leg bend type Bolts



Tailored made plates Available in square shapes also